

ASPEN Stainless hardworking stainless steel products for hardwearing environments: British engineered with a lifetime guarantee.

Product Description

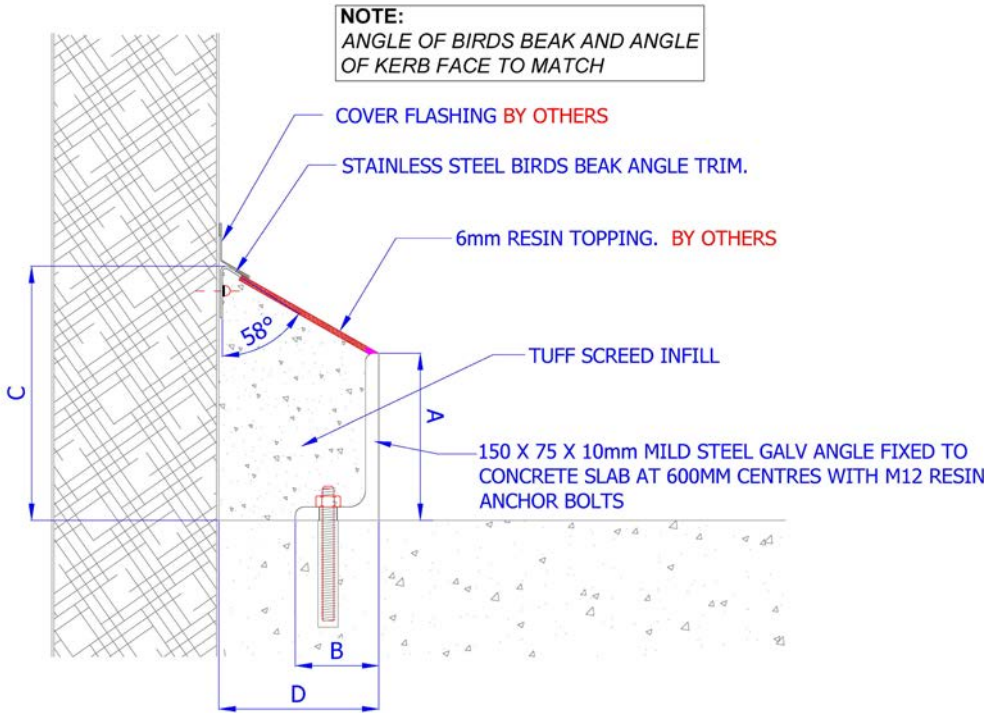
The Galvanised Angle Kerbing is mounted in front of block walls or panel walls to offer protection. Suitable for use with a Uragard 6 mm resin, or screed finish. If concrete is specified and not screed that would be by others.

Technical Specification

- > 10mm mild steel galvanised angle.
- > Tuffscree filled.
- > Resin anchor fixings at 600mm centres. M12.
- > British Galvanised Standard BS EN ISO 1461:2009.
- > Various angle sizes

MODEL	KERB DIMENSIONS			
	A	B	C	D
GAK1	150	75	228	144
GAK2	150	75	228	144
GAK3	200	100	279	144

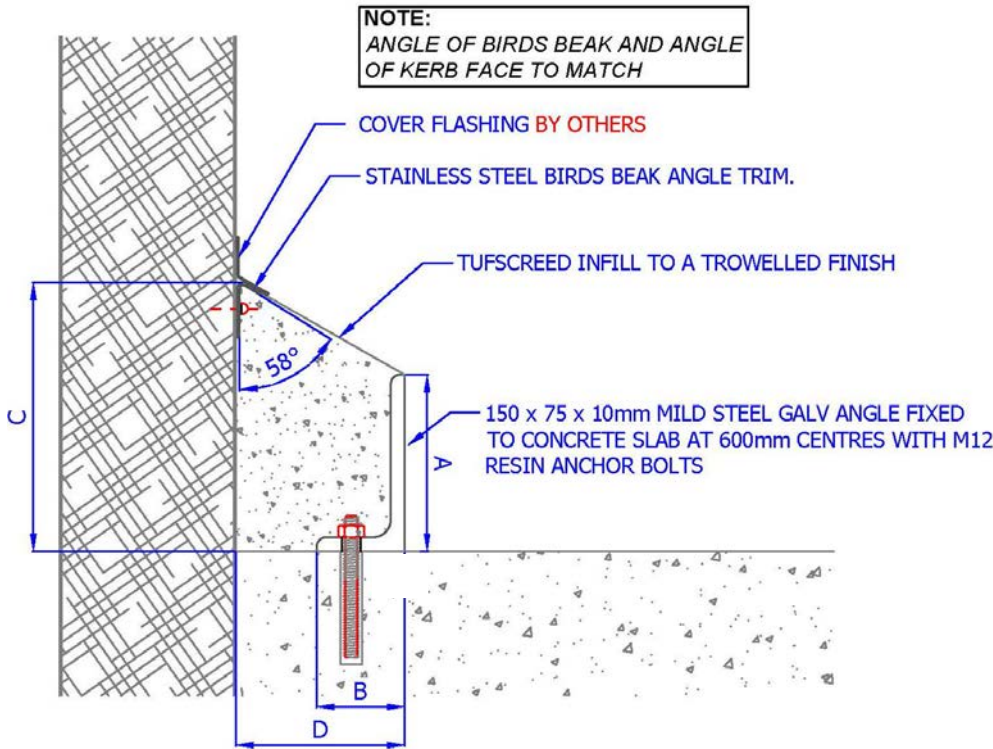
GAK 1 RESIN TOP KERBING



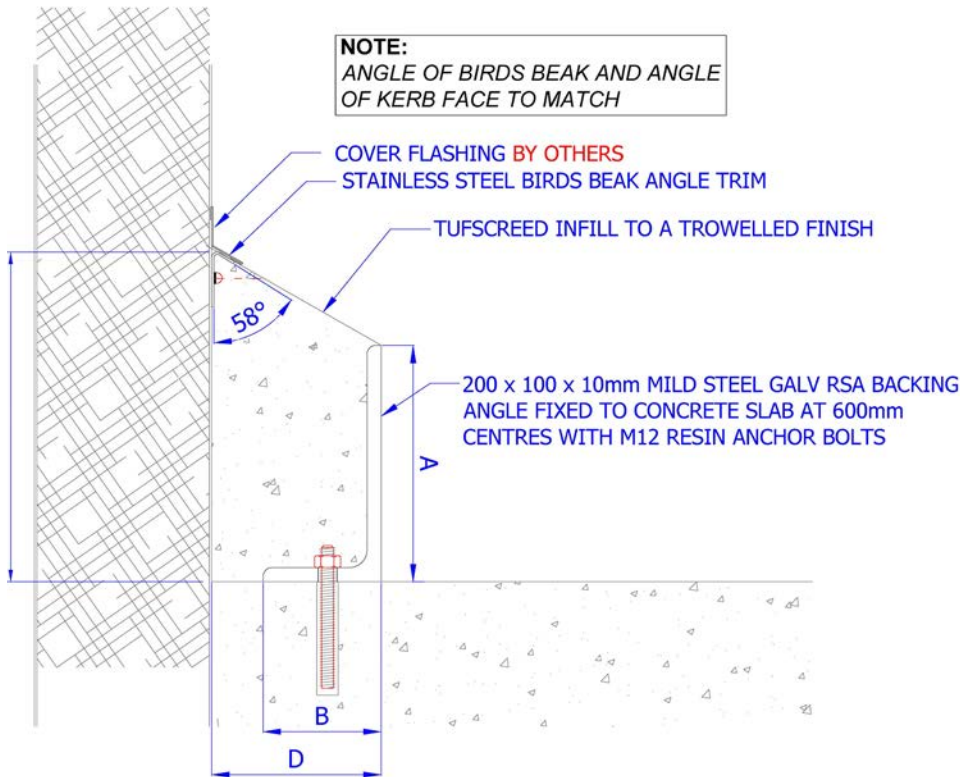
All dimensions in mm.



GAK 2
SCREED TOP KERBING



GAK 3
SCREED TOP KERBING



All dimensions in mm.

ASPEN Stainless hardworking stainless steel products for hardwearing environments: British engineered with a lifetime guarantee.

ASPEN Kerbing System

As the UK based designer and manufacturer of all ASPEN Stainless, Canal Engineering is able to offer a full range of products to complete your kerbing system and can customize any of its Units or manufacture complete bespoke kerbing systems.

Key Benefits

The kerb is installed on the base slab and made to suit sliding, personnel, roller doors, corners, tees and wall ends.

Maintenance

Galvafruid spray any damaged areas.

Cleaning

Suitable methods for galvanised stainless steel are: water and steam; mechanical non abrasive scrubbing; organic solvents and mild detergents.

ASPEN Kerbing Installation

Canal Engineering offer a full installation service, and also offer on-going annual inspection and maintenance contracts.

For advice regarding the most suitable ASPEN products for you please contact our technical sales team today to discuss your requirements.



GAK1 Kerb Sample

ASPEN Kerbing Options

> A range of Uragard resin flooring can be recommended.